



FEATURES

- Manufactured with Lucite Acrylic and reinforced with fiberglass for extra-strength.
- Lucite Acrylic is non-porous material that is lightweight with a brilliant lasting surface resistant to bacteria, staining and scratches superior to regular acrylic.
- Easy to clean high-gloss white finish.
- Thermal properties that retain heat that offers beautiful comfort that is warm to the touch.
- Adjustable stainless steel legs.
- Pre-installed slotted waste and overflow included.
- Bathtubs transport easily and set up in minutes.

MATERIAL

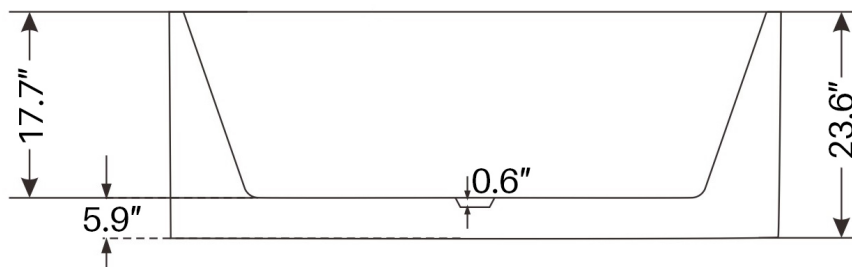
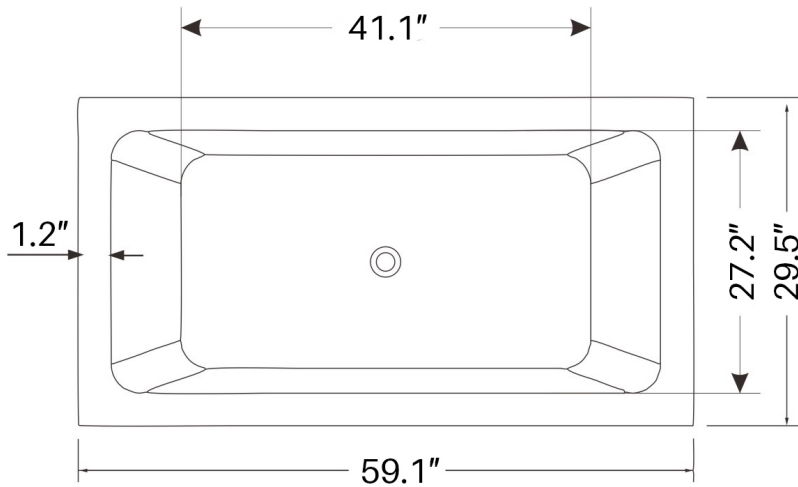
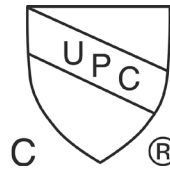
Lucite Acrylic and fiberglass

CERTIFICATION

cUPC Classified certification

DM BATH Two-Year Limited Warranty

See website for warranty information.



Dezign Market reserves the right to make revisions without prior notice to product specifications.

All stated sizes are nominal. Last revised June 7, 2018.

SUPPORT@DEZIGNMARKET.COM +1 888 398 8380